

**REQUEST FOR TENDER  
RFP #2019-074-AC ADDENDUM #3**

**New Crime Scene Lab Building (Forensics Training Facility)**

October 9, 2019

This Addenda shall become part of the Request for Tender (RFT) documents. The information contained in the addendum supersedes and amends the RFT documents and previous addenda, and Bidders are solely responsible to ensure they have received, and that their Tender incorporates, all addenda issued prior to RFT closing, and all costs resulting from such addenda.

**GENERAL**

1. The contact information for the Endeavour Centre is Chris Magwood, 705-957-3282, [chris@endeavourcentre.org](mailto:chris@endeavourcentre.org). Chris will be at the bidders meeting on October 15<sup>th</sup>.

**APPENDIX D – RFT PARTICULARS**

1. WORK AND/OR SUPPLIES BY OWNER – In addition to the items listed in the tender documents, the following items will be supplied by the Owner and installed by the Contractor:
  - a. Washroom accessories including: paper towel dispensers, toilet paper dispensers, soap dispensers, and sanitary napkin receptacles.

**ARCHITECTURAL SPECIFICATIONS – DIVISION 2 TO 12**

1. Division 2B (Site Work) – The work of excavating and fully restoring the trenches required for the installation of the water, sanitary and electrical connections is part of the Site Work, including all labour and materials. The work of installing the actual service connections is part of the mechanical and electrical work.
2. Division 9C (Moveable Wall System) – The Coreflex 5500 is an acceptable alternate product. Regardless of which product is used, the panel finish needs to be smooth (minimal seams and no texture) and highly cleanable with chemical cleaning products.
3. Division 12 (Manufactured Metal Case Work) – The work of supplying and installing stainless steel counters is clarified as follows:

- a. The stainless steel counters shall have integral sinks meeting the location and dimensions of the drop-in type sinks (S-1) identified in Division 15. The requirement for the drop-in sinks is deleted from Division 15.

### **SOLAR PV SPECIFICATIONS – DIVISION 13**

1. The following are solar PV contractors that are acceptable to the Owner for use on this contract:
  - a. Alectric Solar Inc., Stephen Kerr, [stephen@alectricsolar.com](mailto:stephen@alectricsolar.com), 647-675-4707;
  - b. Anvil Crawler, Mark Dupuis, [mdupuis@anvilcrawler.com](mailto:mdupuis@anvilcrawler.com), 519-843-1015;
  - c. Arcadian Projects Inc., Jeff Vidmar, [jeff@arcadianprojects.ca](mailto:jeff@arcadianprojects.ca), 519-804-9697;
  - d. Crescent Ridge Services, Ryan Parton, [ryan@crescentridge.com](mailto:ryan@crescentridge.com), 519-655-6802;
  - e. Generation Solar, J.P. Pawliw, [info@generationsolar.com](mailto:info@generationsolar.com), 705-741-1700;
  - f. Otter Energy, Tyler Blower, [info@otterenergy.com](mailto:info@otterenergy.com), 613-961-9745;
  - g. Quantum Renewable Energy, Rick Rooney, [info@quantumenergy.ca](mailto:info@quantumenergy.ca), 613-546-2326;
  - h. Or approved other.

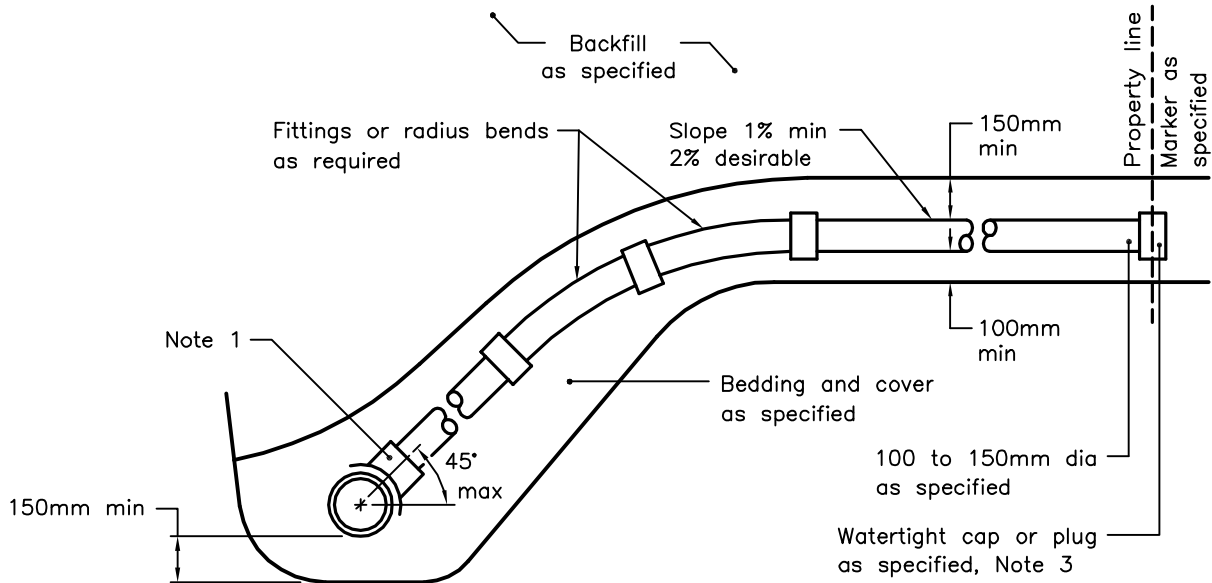
### **MECHANICAL DRAWINGS**

1. The requirement for drop-in type stainless steel sinks (S-1) shown in the Plumbing and Drainage Schedule on drawing M1.1 is deleted (changed to integral sinks/counters). The waste assemblies and faucets are still required.
2. The reference to two S-1 sinks in the Lab/Classroom (Room 102) is incorrect. These sinks are to be S-2 sinks.

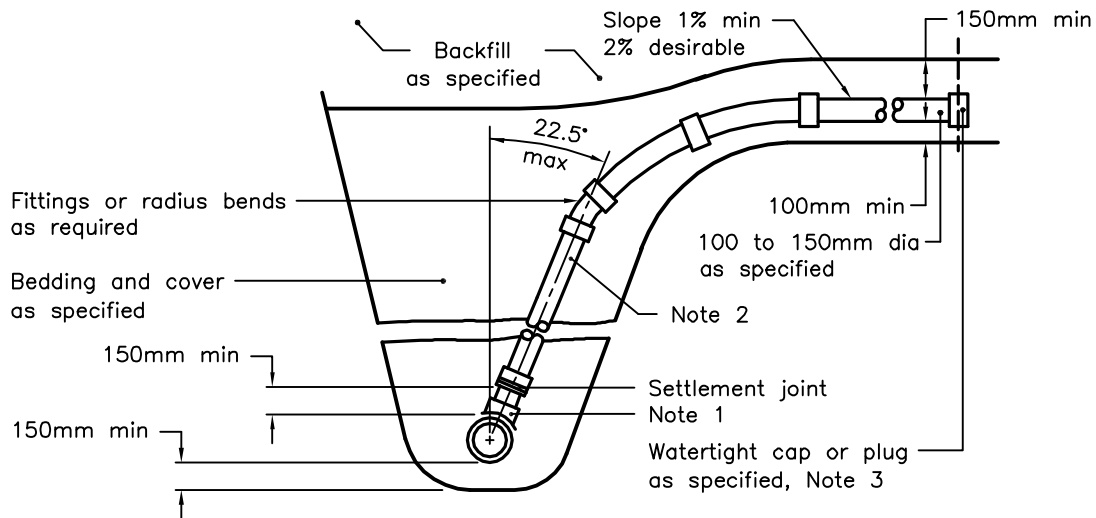
### **MECHANICAL SPECIFICATIONS – DIVISION 15**

1. The work of division 15 includes the work of installing the water and sanitary connections as follows:
  - a. Water Connection: All work required to provide the 1" water connection from the adjacent Otonabee College Residence building, including hole drilling/filling, system isolation/draining, shut-off valve installation, pipe insulation, etc.
  - b. Sanitary Connection: All work required to connect the new 4" sanitary drain to the existing sanitary sewer on East Bank Drive, including teeing into the existing sewer as per OPSD 1006.010 (attached).

End of Addendum #3



### CONNECTION WITHOUT VERTICAL RISER



### CONNECTION WITH VERTICAL RISER

#### NOTES:

- 1 Sewer service connections to the main pipe sewer shall be made using factory made tees, strap-on-saddles, or other approved saddles.
  - 2 Vertical risers shall be as specified.
  - 3 Cap or plug at property line shall be adequately braced.
- A Maintenance holes shall be used at the main sewer to connect service connections greater than or equal to 200mm.
- B For new construction, saddles shall be installed on the main pipe before that pipe is laid.
- C Approved cut-in tool shall be used for field made connections.
- D All dimensions are in millimetres unless otherwise shown.

ONTARIO PROVINCIAL STANDARD DRAWING

Nov 2016

Rev 3

SEWER SERVICE CONNECTIONS  
FOR MAIN PIPE SEWER



OPSD 1006.010